



FC723

Cerberus™ PRO

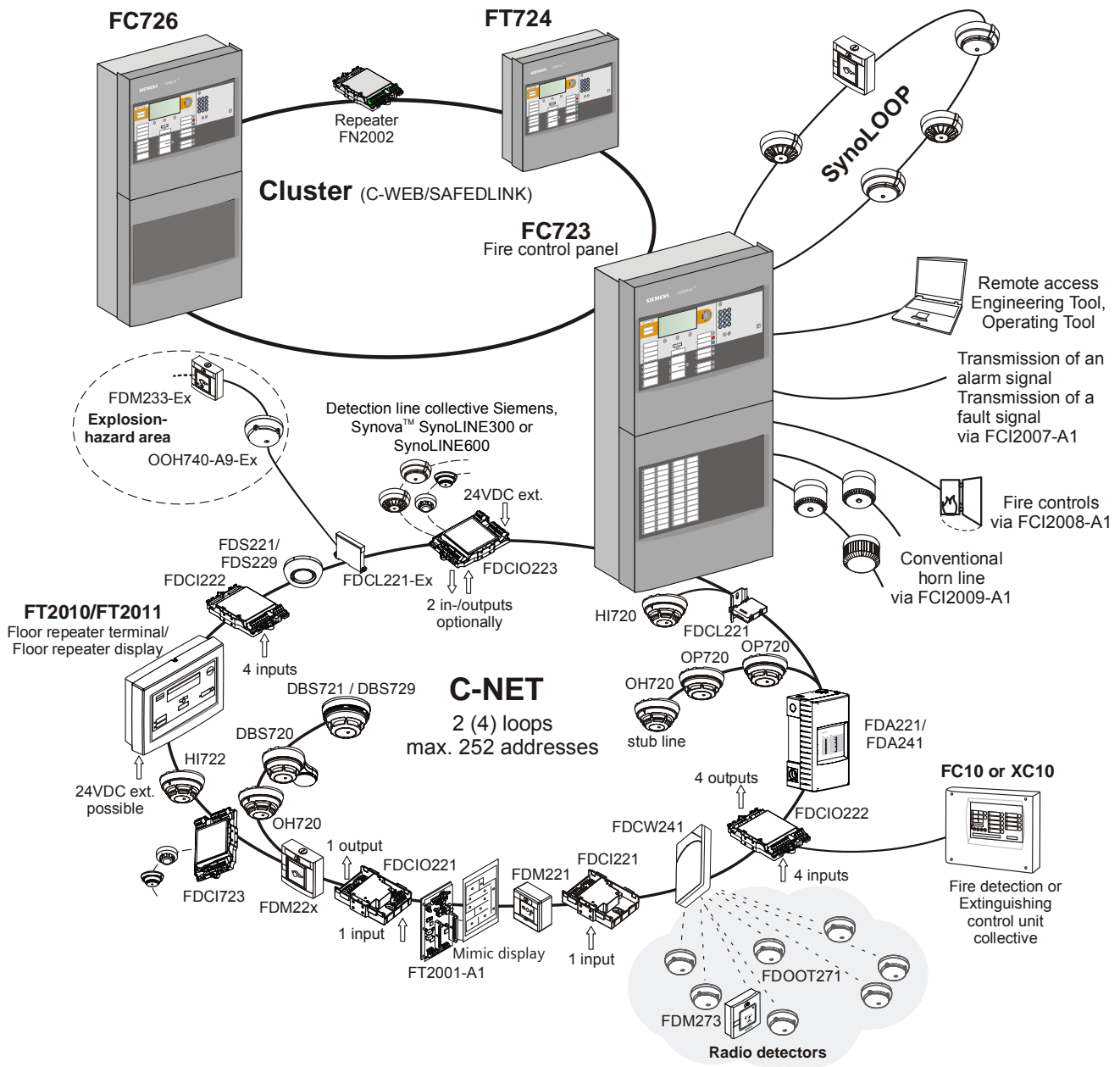
Fire control panel



FS720 series, IP6

- **Modular, pre-assembled, microprocessor-controlled fire control panel with user-friendly integrated operating unit for up to 1512 addresses**
- **Processes signals from various detector series:**
 - FD720 devices from the Cerberus Pro series
 - SynoLOOP devices
- **Fire control panel can be used as a standalone version or can be networked**
- **Up to 64 stations, such as control panels and terminals, can be linked to form a network**
- **Integrated degraded mode function**
- **Redundant network node, degraded mode operation according to EN 54**
- **Fast Ethernet interface for a heterogeneous network**
- **Can be extended by adding printer, key switches, LED indicators**
- **Card cage for up to two module bus cards (line and I/O cards)**
- **Hot plug system: Module bus cards can be changed during operation.**
- **Slots for RS232, RS485 serial ports**
- **Emergency power supply for emergency operating time of up to 72 hours**
- **Detection and automatic reading in (auto-configuration) of all Cerberus PRO devices, ready for operation immediately**
- **Floor repeater devices, alarm devices, and mimic displays on C-NET detector line**
- **Flexible configuration of complex applications and controls**

System overview



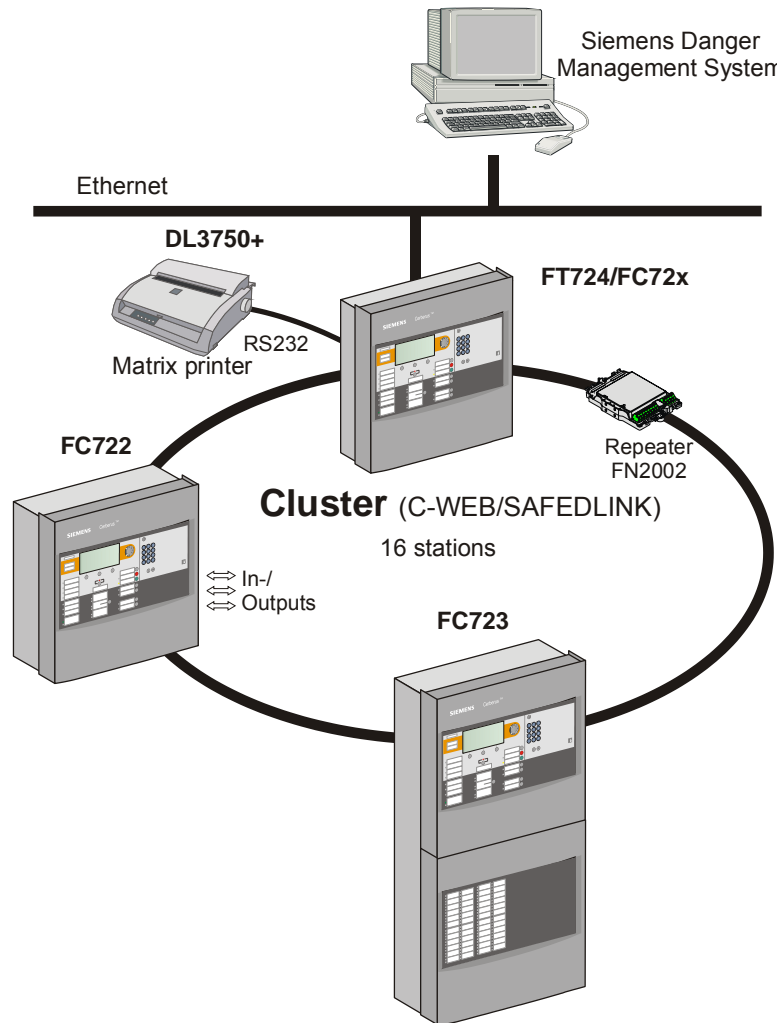
Possible extensions for card cage with two slots

FCL2001-A1	Line card (FDnet/C-NET)	4 loops each with a maximum of 252 addresses, max. of 252 addresses per line card
FCL7201-Z3	Line card (SynoLOOP)	4 loops each with a maximum of 128 addresses, max. of 512 addresses per line card
FCI2007-A1	I/O card (RT)	Outputs for alarm, fault, local alarm
FCI2008-A1	I/O card (programmable)	12 freely programmable inputs/outputs per I/O card
FCI2009-A1	I/O card (horn/monitored)	8 monitored horn outputs or monitored outputs

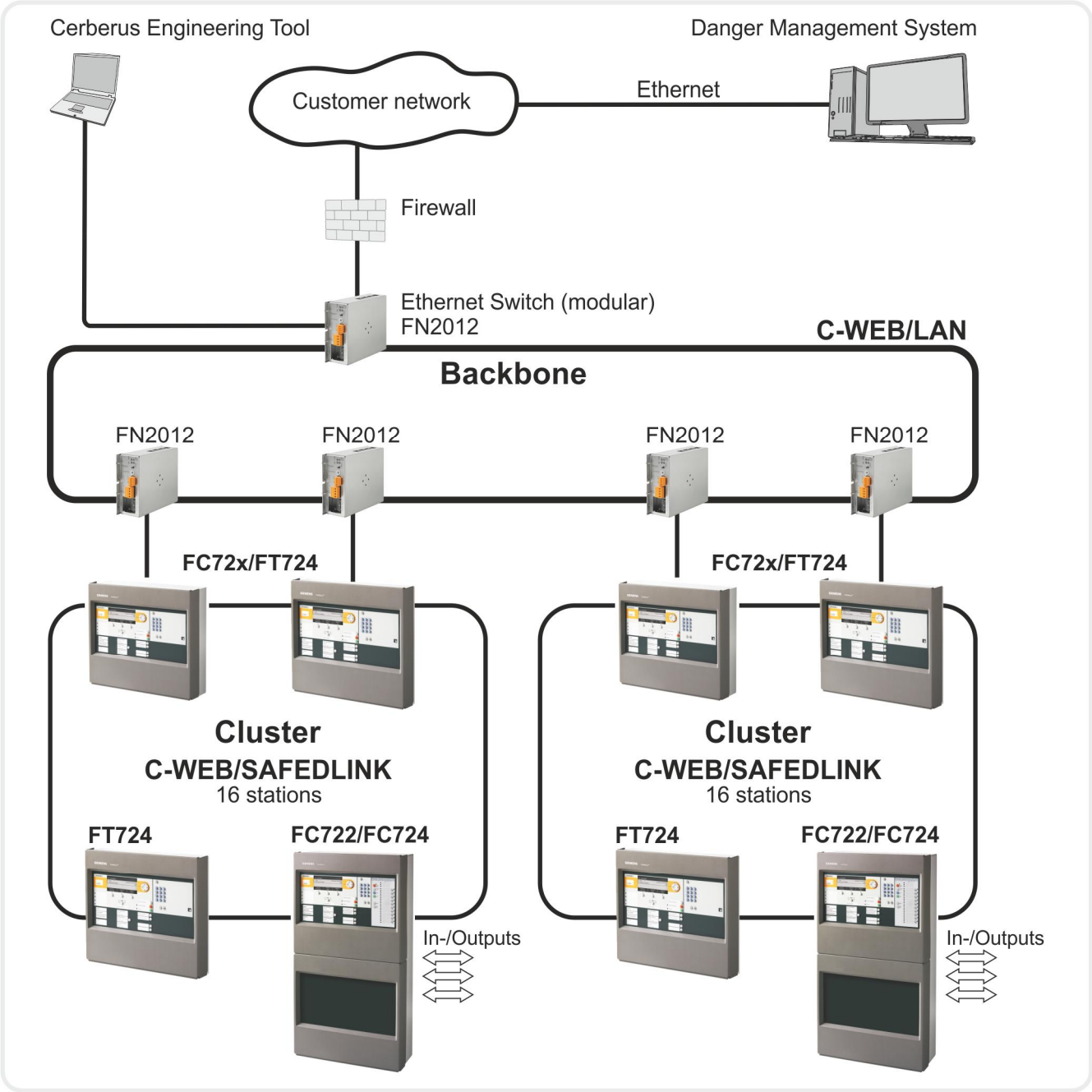
Mixed usage possible, but with a max. of 756 addresses per control panel.

Networking of several fire control panels

Up to 32 control panels and terminals can be linked to form a cluster (C-WEB/SAFEDLINK network). If the cluster is connected to a danger management system via BACnet, up to 16 control panels and terminals can be networked.



An optical Ethernet network (C-WEB/LAN) allows up to 14 clusters with up to 16 stations to be operated on one network. A maximum of 64 stations is supported in total.



You will find details of system networking in product data sheet A6V10227649.

- **The FC723 is a modular fire control panel with integrated operating unit for modernizing existing small fire detection installations that are based on earlier systems.**
- **The FC723 processes signals from Cerberus PRO FD720 devices and from addressable devices based on earlier systems.**
- **The control panel may be used as a standalone unit or networked.**
- **The control panel and the fire detection system are custom-configured using the Cerberus-Engineering-Tool software.**
- **There is a card cage with two slots for inserting the following module bus cards:**
 - Line card (FDnet/C-NET) FCL2001-A1 (for extra lines)
 - Line card (SynoLOOP) FCL7201-Z3
 - I/O card (programmable) FCI2008-A1
 - I/O card (horn/monitored) FCI2009A1
 - I/O card (RT) FCI2007-A1
- **Mixed use of all module bus cards (line and I/O cards) possible.**
- **In the event of a defect, the module bus cards can be replaced without the control panel having to be powered down.**
- **Customer texts can be adapted directly on the operating unit of the control panel or with the Cerberus-Engineering-Tool software.**
- **Up to 2000 events can be retrieved from the event memory based on various criteria.**
- **Automatic summer/winter time changeover**
- **Siemens danger management system can be connected**

Function elements

Operating unit

The following elements are available on the operating unit:

- CPU module and electronics
- Ethernet connection
- Slots for RS232 and RS485 modules and network modules (SAFEDLINK)
- Space for 'Kaba' or 'Nordic' key switch
- Space for event printer
- Peripheral data bus connection for optional LED modules

Periphery board

The following elements are available on the periphery board:

- Connection terminals for C-NET lines (two loops with max. 252 devices), remote transmission (alarm, fault), horn outputs, configurable control inputs and outputs, monitored alarm and fault output, emergency supply, power supply
- One slot for loop extension (C-NET)

Card cage (2 slots)

There is a card cage on the rear housing panel for using up to two module bus cards.

Power supply unit 150 W, emergency power supply

The power supply feeds the hardware and charges the batteries.

The batteries provide emergency current in the event of a power cut.

Housing

A pivoting mounting plate can be fitted for the following elements above the periphery board on the rear housing panel:

- 1 fire department periphery module
- 1x sounder module (as an alternative to mounting on U-rail TS35)

Configuration

The FXS7212 Cerberus-Engineering-Tool allows the system to be customized.

Application ranges






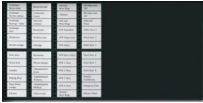

The FC723 is ideal for medium-sized applications, e.g., for use in hotels, high schools, or office complexes. However, thanks to the flexible networking options, the FC723 can also be used for large-scale sites.

Operation

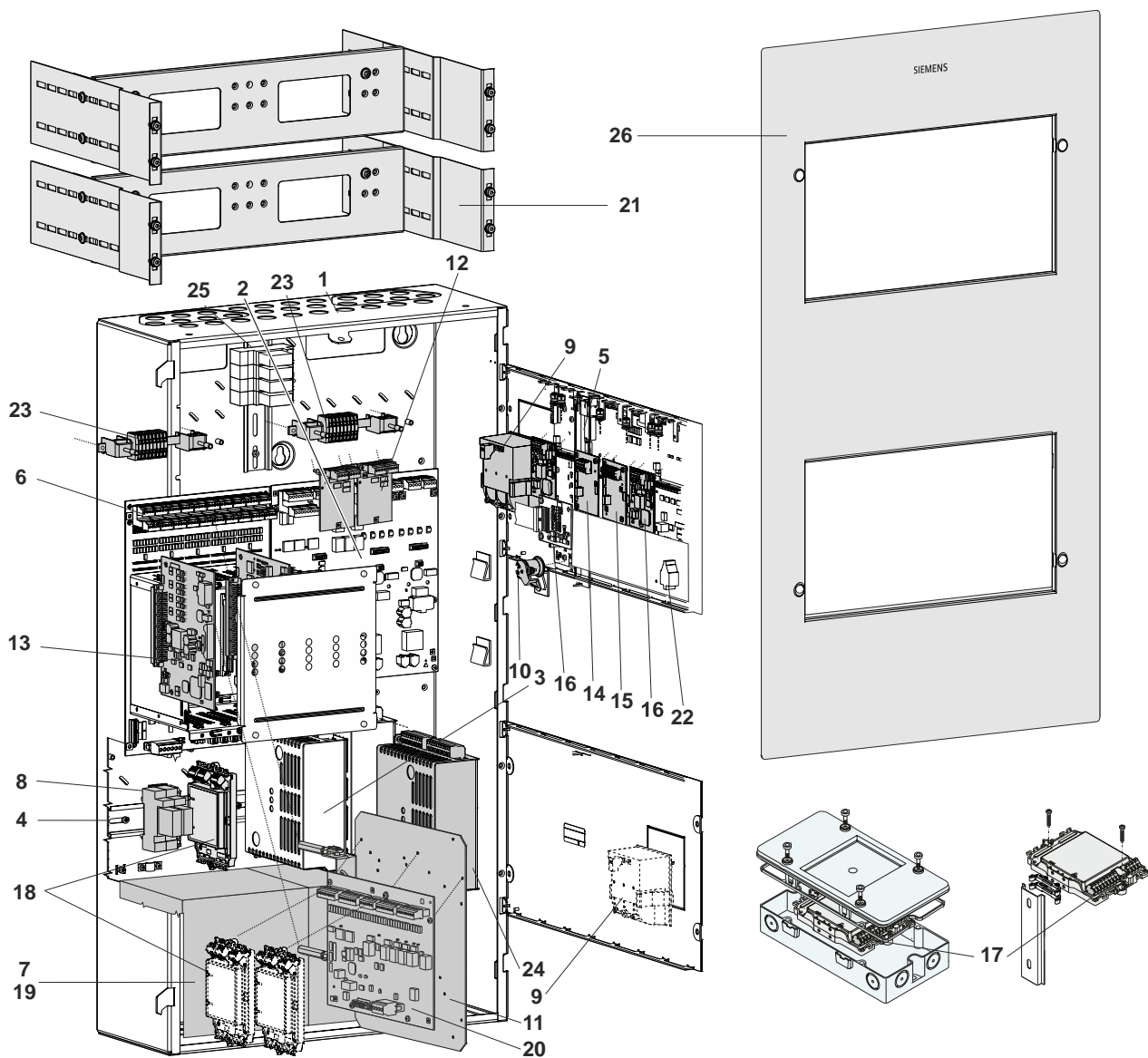
Each control unit has an integrated operating unit. The control panel can also be operated via a separate FT724 fire terminal.

You will find details and more information in product data sheet A6V10207898.

Overview of FC723 fire control panel (modular)

Control panel		Housing extensions	
FC723 ZA		FH7205-Z3	FH7203-Z3
Housing (Comfort)		Housing (Large) 430 x 796 x 283 mm	Housing (Comfort) 430 x 796 x 183 mm
			
2 loops with card cage for two module bus cards with power supply (150 W) Max. battery capacity 26 Ah		E.g., space for operating add-ons or event printer Space for batteries 2x FA2006-A1 (26 Ah) or 2x FA2007-A1 (45 Ah) or 2 x FA2008-A1 (65 Ah)	E.g., space for operating add-ons or event printer Space for batteries 2x FA2003-A1 (7 Ah) or 2x FA2004-A1 (12 Ah) or 2x FA2005-A1 (17 Ah) or 2x FA2006-A1 (26 Ah)
Printer	External printer	Operating accessories	
FTO2001-A1	DL3750+	FCM7213-Y3	FCM7214-Y3
Event printer	Matrix printer (external) RS232 interface	48 indicator groups with one red/green + one yellow LED each	96 indicator groups with one red/green + one yellow LED each
			
RS232 module must be ordered separately	RS232 module must be ordered separately	for retrofitting Note installation depth (battery)	for retrofitting Note installation depth (battery)

Layout of FC723 inside housing (Comfort)





Basic equipment	Designation	Comment
1 Housing (Comfort)	FH7203-Z3	Items 1-6: Basic equipment
2 Periphery board (2-loop)	FCI2002-A1	
3 Power supply (SV 24V-150 W)	V24230-Z6-A5	
4 Mains terminals on TS35 DIN rail	–	Space for socket, relay modules
5 Operating unit	FCM72xx-xx	Operating unit with CPU
6 Card cage (2 slots)	FCA2008-A1	For two module bus cards
7 Space for batteries	–	2x 12 V / 17...26 Ah

Extensions	Designation	Comment
8 Relay module	Z3B171	Relay for fire controls
9 Event printer	FTO2001-A1	For logging events
10 Key switch (Kaba)	FTO2005-C1	For operating access authorization
	Key switch (Nordic)	
11 Mounting plate	FHA2007-A1	E.g., for fire brigade periphery module
12 Loop extension (C-NET)	FCI2003-A1	For extending the number of loops from two to four, the number of addresses remains the same
13 Module bus cards		
– Line card (FDnet/C-NET)	FCL2001-A1	For four extra C-NET lines
– Line card (SynoLOOP)	FCL7201-Z3	For four extra SynoLOOP lines
– I/O card (programmable)	FCI2008-A1	For twelve configurable inputs/outputs
– I/O card (horn/monitored)	FCI2009-A1	For eight monitored horn outputs
– I/O card (RT)	FCI2007-A1	For extra alarm and fault outputs
14 RS485 module (isolated)	FCA2002-A1	For peripheral devices with RS485 interface
15 RS232 module (isolated)	FCA2001-A1	For devices with an RS232 interface
16 Network module (SAFEDLINK)	FN2001-A1	For networking several stations
17 Repeater (SAFEDLINK)	FN2002-A1	For extending the C-WEB system bus, max. 1x repeater (SAFEDLINK) between two stations (mounted directly on a plane surface, on a TS35 U-rail, or in housing FDCH221)
18 Sounder module	FCA2005-A1	For splitting one conventional sounder into four
19 Battery (12 V, 17 Ah, VDS)	FA2005-A1	For the emergency power supply
	Battery (12 V, 26 Ah, VDS)	
20 Fire brigade periphery module	FCI2001-D1	for Germany (FBF, FSD, ÜE, FSE, ÖA, KL)
21 19" mounting kit	FHA2016-A1	For installation in 19" third-party housing
22 License key Sx	FCA20xx	For special functions
23 Cable kit (communication)	FCA2014-A1	For flexible connections running to the modules on the operating unit
24 Power supply kit (150 W, B)	FP2005-A1	For extra power supply
25 Relay module	Z3B171	Space for U-rail TS35 L=70 mm with max. four relay modules
26 FM blind 2HE	FHA2015-A1	for recessed mounting of housings

Technical data

Mains voltage	AC 115/230 V +10/-15 %
Power supply	150 W
Operating voltage	DC 21...28.4 V
Operating current	Max. 5 A
Battery capacity	2x 12 V, 26 Ah
Battery monitoring	Yes
Mains supervision	Yes
Connectable Cerberus PRO detector series	FD720 (C-NET)
Other addressable detectors which can be connected	SynoLOOP
Number of C-NET and SynoLOOP addresses	Max. 756
Number of C-NET addresses	Max. 756
Max. number of SynoLOOP addresses	max. 512
Number of integrated lines	
C-NET loops or stubs	2/4
– With loop extension	4/8
Number of extra lines	
C-NET (4 loops or stubs per line card)	Max. 8 loops/stubs
SynoLOOP (4 loops or stubs per line card)	Max. 8 loops/stubs
Integrated inputs/outputs	
– Relay output for RT alarm/RT fault	1/1
– Monitored outputs for alarm/fault/horn	1/1/1
– Freely programmable inputs/outputs	8
Additional I/O cards	
I/O card (programmable)	12x configurable inputs/outputs 2x supply outputs 24 V
I/O card (horn/monitored)	8x monitored horn outputs
I/O card (RT)	1x alarm relay output and 1x fault relay output 1x voltage output 24 V 2x GPIO 1x monitored fault output 2x configurable outputs, monitored
Operating unit	Integrated
Slots for RS232, RS485 serial ports	2
Slots for network modules	2
Slots for loop extension	1
Slots for module bus cards (on integrated card cage)	Max. 2
Mounting spaces for cable kit (communication)	2
Sounder module	Max. 2
Ethernet port RJ45	1
Operating temperature	-8...+42 °C
Storage temperature	-20...+60 °C
Air humidity (no moisture condensation permitted)	≤95 % rel.
Dimensions (W x H x D)	
– Without cover cap	430 x 796 x 160 mm
– With cover cap	430 x 796 x 183 mm
Color	
– Housing	~RAL 7035, light gray
– Cover cap	~RAL 000 50 00
Protection category (IEC 60529)	IP30
Approvals	
– VdS	G214021
– LPCB	126bn/09

14		0786	FC723-ZA	Siemens Switzerland Ltd; Gubelstrasse 22 CH-6301 Zug Technical data: see doc. A6V10210355
FC723 - Control and Indicating Equipment incl. SV24V150W - 150W/24VDC Power Supply Equipment for use in fire detection and fire alarm systems installed in buildings.				
305/2011/EU (CPR): EN 54-2 / EN 54-4 ; 2014/30/EU (EMC): EN 50130-4 / EN 61000-6-3 ; 2014/35/EU (LVD): EN 60950-1 ; 2011/65/EU (RoHS): EN 50581				
The declared performance and conformity can be seen in the Declaration of Performance (DoP) and the EU Declaration of Conformity (DoC), which is obtainable via the Customer Support Center: Tel. +49 89 9221-8000 or http://siemens.com/bt/download				
DoP No.: 0786-CPR-21328; DoC No.: CED-FC723				
13		0786	SV24V150W	Siemens Switzerland Ltd, Gubelstrasse 22 CH-6301 Zug Sinteso technical data: see doc. 008837 Cerberus™ PRO technical data: see doc. A6V10210368
SV24V150W - Power Supply Equipment 24VDC/150W for use in fire detection and fire alarm systems installed in buildings.				
305/2011/EU (CPR): EN 54-4 ; 2014/30/EU (EMC): EN 50130-4 / EN 61000-6-3 ; 2014/35/EU (LVD): EN 60950-1 ; 2011/65/EU (RoHS): EN 50581				
The declared performance and conformity can be seen in the Declaration of Performance (DoP) and the EU Declaration of Conformity (DoC), which is obtainable via the Customer Support center: Tel. +49 89 9221-8000 or http://siemens.com/bt/download				
DoP No.: 0786-CPD-20775; DoC No.: CED-SV24V150W				

Details for ordering

	Type	Art. no.	Designation	Weight
Extensions	FC723-ZA	S54400-C143-A1	Fire control panel (modular)	20.800 kg
	Z3B171	BPZ:4843830001	Relay module AC 250 V / 10 A (1 relay)	0.042 kg
	FTO2001-A1	A5Q00010126	Event printer	0.250 kg
	-	A5Q00017619	Spare printer reels (10 reels)	0.090 kg
	FTO2005-C1	A5Q00010113	Key switch (Kaba)	0.013 kg
	FTO2006-B1	A5Q00010129	Key switch (Nordic)	0.050 kg
	FHA2007-A1	A5Q00010151	Mounting plate	0.800 kg
	FCI2003-A1	A5Q00010136	Loop extension (C-NET)	0.064 kg
	FCL2001-A1	A5Q00009875	Line card (FDnet/C-NET)	0.120 kg
	FCL7201-Z3	S54400-A116-A1	Line card (SynoLOOP)	0.120 kg
	FCI2007-A1	S54400-A20-A1	I/O card (RT)	0.200 kg
	FCI2008-A1	S54400-A6-A1	I/O card (programmable)	0.120 kg
	FCI2009-A1	S54400-A21-A1	I/O card (horn/monitored)	0.200 kg
	FCA2002-A1	A5Q00009923	RS485 module (isolated)	0.067 kg
	FCA2001-A1	A5Q00005327	RS232 module (isolated)	0.068 kg
	FN2001-A1	A5Q00012851	Network module (SAFEDLINK)	0.077 kg
	FN2002-A1	S24236-B2502-A1	Repeater (SAFEDLINK)	0.154 kg
	FCA2005-A1	A5Q00014866	Sounder module	0.140 kg
	FCA2014-A1	A5Q00023027	Cable kit (communication)	0.224 kg
	FCI2001-D1	A5Q00013100	Fire brigade periphery module	0.482 kg
	FH7204-Z3	S54400-B89-A1	Housing (Large Extension)	11.800 kg
	FH7205-Z3	S54400-B86-A1	Housing (Large)	15.400 kg
	FH7203-Z3	S54400-B71-A1	Housing (Comfort)	16.120 kg
	FH7202-Z3	S54400-B70-A1	Housing (Standard)	7.500 kg
	FHA2016-A1	A5Q00020179	19" mounting kit	3.000 kg
	FCM7213-Y3	S54400-B149-A1	Operating add-on (2xLED indicator)	2.600 kg
	FCM7214-Y3	S54400-B150-A1	Operating add-on (4xLED indicator)	2.800 kg
	FN2006-A1	S54400-A109-A1	Fiber network module (SM)	0.770 kg
	FN2007-A1	S54400-A110-A2	Fiber network module (MM)	0.770 kg

	Type	Art. no.	Designation	Weight
Auxiliary power supply	FP2004-A1	A5Q00020825	Power supply kit (150 W, A) for installation into empty housing	1.366 kg
	FP2005-A1	A5Q00018779	Power supply kit (150 W, B) for parallel connection	1.100 kg
Networks (backbone)	FN2012-A1	S54400-B152-A	Ethernet switch (modular)	0.560 kg
	FCA2031	S54400-A153-A1	Connection module (MoNet)	0.020 kg + 0.050 kg for cable
	VN2002-A1	S54400-A43-A1	Ethernet module (MM)	0.030 kg
	VN2003-A1	S54400-A44-A1	Ethernet module (SM)	0.030 kg
	FHA2029-A1	S54400-B79-A1	Installation kit (switch, comf.)	1.240 kg
Batteries	FA2003-A1	A5Q00019353	Battery (12 V, 7 Ah, VDS)	2.450 kg
	FA2004-A1	A5Q00019354	Battery (12 V, 12 Ah, VDS)	3.930 kg
	FA2005-A1	A5Q00019677	Battery (12 V, 17 Ah, VDS)	5.640 kg
	FA2006-A1	A5Q00019356	Battery (12 V, 26 Ah, VDS)	7.572 kg
	FA2007-A1	A5Q00022897	Battery (12 V, 45 Ah, VDS)	15.320 kg
	FA2008-A1	A5Q00019357	Battery (12 V, 65 Ah, VDS)	22.000 kg
License keys	FCA2 033-A1	S54400-P154-A1	License key (S1)	0.010 kg
	FCA2034-A1	S54400-P155-A1	License key (S2)	0.010 kg
	FCA2035-A1	S54400-P156-A1	License key (S3)	0.010 kg
External printer	DL3750+	A5Q00023962	Matrix printer (external)	7.300 kg
Spare part	–	A5Q00023963	Color ribbon for matrix printer DL3750+	0.078 kg